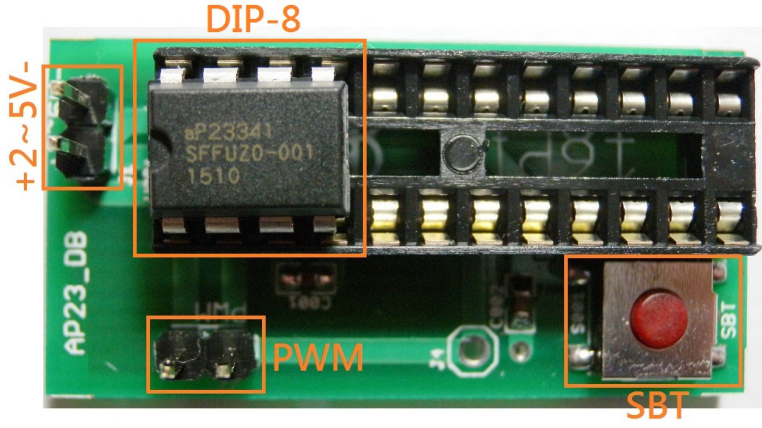


For aP23682 ( 682”) /aP23341 ( 341”) / aP23170 ( 170”) / aP23085 ( 85”) DIP8

|                | Durations | PHRASE   |              |          |          | VCC    |
|----------------|-----------|----------|--------------|----------|----------|--------|
|                |           | Key mode | CPU parallel | MP3 mode | I2C mode |        |
| <b>aP23682</b> | 682”      | 3        | 4            | 1024     | 1024     | 2 ~ 5V |
| <b>aP23341</b> | 341”      | 3        | 4            | 1024     | 1024     | 2 ~ 5V |
| <b>aP23170</b> | 170”      | 3        | 4            | 1024     | 1024     | 2 ~ 5V |
| <b>aP23085</b> | 85”       | 3        | 4            | 1024     | 1024     | 2 ~ 5V |



1. Part no. : **AP23\_DB**
2. PCB SIZE : 38 x 19 mm
3. PCB NO. : 5303
4. VDD = 2 ~ 5V
5. Only : PWM
6. SBT PIN : For Key mode  
one key sequential trigger  
1~1024(max.) sections

\*\* For PWM output, Only required one 104 capacitor on the board for playback.  
for details :